

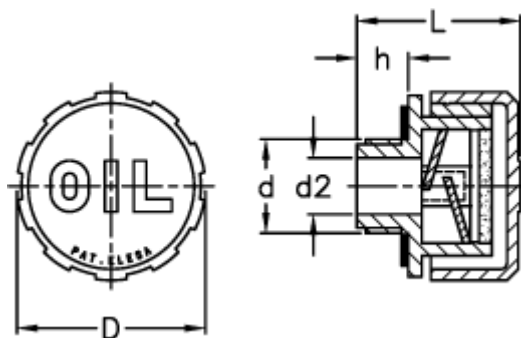
Data Sheet



Article number: 2311054321

Description: E+G Breather plug
SFP.40-1+F FIL

Measures



D = 42

d = G 1

d2 = 23

h = 11.5

L = 36.5